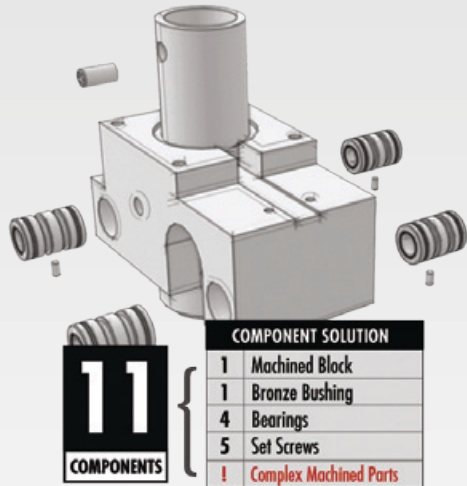


Integrated Solution.

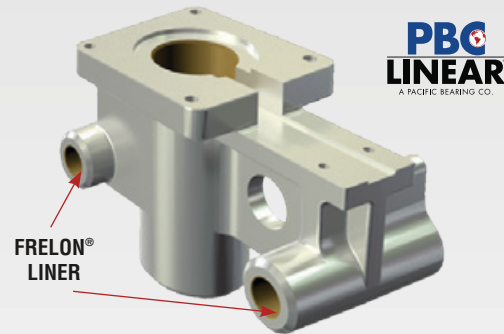
simplicity®

PROBLEM



vs.

SOLUTION



1 = PBC LINEAR's ENGINEERED SOLUTION
COMPONENT

Application:

A manufacturer of precision engraving equipment developed a new design with targets for simplified assembly and dramatically reduced costs.

Initial Design Problems:

- Numerous Parts
- Multiple Complex Machining Operations
- Complex Assembly
- Several Vendors

Design on a Diet Solution*

- One-piece, multi-axis casting
- Proprietary Frelon® bonded liner - allows for high load capacity, low wear and no maintenance
- Significantly Reduced Part Count
- Collaborative Engineered Design
- Reduced Assembly Time

PLUS 40% COST SAVINGS



A plan for better performing products that lower overall costs through expert PBC engineering and project collaboration

- Improve Life & Reliability
- Enhanced Performance
- Faster Time to Market
- Lower Overall Costs
- Reduce Risks
- Streamline Assembly

Learn more about our DOD solutions at www.pbclinear.com or call 1-800-962-8979
6402 E. Rockton Road • Roscoe, IL 61073 USA

The data and specifications in this publication have been carefully compiled and are believed to be accurate and correct. However, it is the responsibility of the user to determine and ensure the suitability of PBC Linear™ products for a specific application. PBC Linear™ only obligation will be to repair or replace without charge, any defective components if returned promptly. No liability is assumed beyond such replacement. Specifications are subject to change without notice.

LITRST-004 2.11

PBC LINEAR
A PACIFIC BEARING CO.